

DH-SD65320-HN

3Mp Full HD Network PTZ Dome Camera



Features

- Powerful 20x/30x optical zoom
- H.264 & MJPEG dual-stream encoding
- Max. 15fps@3Mp, 25/30fps@1080p resolution
- WDR, Day/Night(ICR), DNR (2D&3D),Auto iris, Auto focus, AWB, AGC,BLC
- Multiple network monitoring: Web viewer, CMS(DSS/PSS) & DMSS
- Max 400 °/s pan speed, 360° endless pan rotation
- Up to 255 presets, 5 auto scan, 8 tour, 5 pattern
- Built-in 7/2 alarm in/out
- Support intelligent 3D positioning with DH-SD protocol
- Micro SD memory, IP67, easy installation

DH-SD65320-HN

Technical Specifications

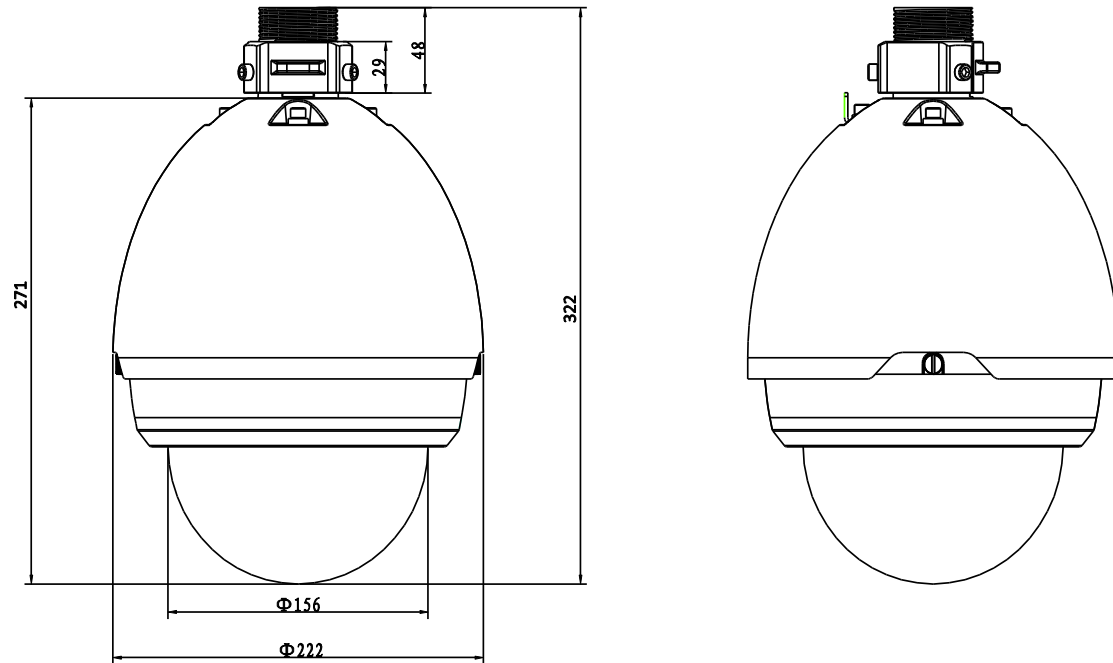
| | |
|--------------------------|--|
| Model | DH-SD65320-HN |
| Camera | |
| Image Sensor | 1/3" CMOS |
| Effective Pixels | 2048(H) x 1536(V), 3 Megapixels |
| Scanning System | Progressive |
| Electronic Shutter Speed | 1/1 ~ 1/30,000s |
| Min. Illumination | Color: 0.05Lux@F1.6,B/W: 0.005Lux@F1.6 |
| S/N Ratio | More than 50dB |
| Video Output | BNC(1.0Vp-p/75Ω), PAL / NTSC |
| Camera Features | |
| Day/Night | Auto(ICR) / Color / B/W |
| Backlight Compensation | BLC / HLC / WDR (120db) |
| White Balance | Auto, ATW, Indoor, Outdoor, Manual |
| Gain Control | Auto / Manual |
| Noise Reduction | Ultra DNR (2D/3D) |
| Privacy Masking | Up to 24 areas |
| Digital Zoom | 16x |
| Defog | N.A. |
| Lens | |
| Focal Length | 4.7mm ~ 94.0mm(20x Optical zoom) |
| Max Aperture | F1.6 ~ F3.5 |
| Focus Control | Auto / Manual |
| Angle of View | H: 55.4°~ 2.9° |
| Close Focus Distance | 10mm ~ 1000mm |
| PTZ | |
| Pan/Tilt Range | Pan: 0° ~ 360° endless; Tilt: -2° ~ 90°, auto flip 180° |
| Manual Control Speed | Pan: 0.1° ~ 300°/s; Tilt: 0.1° ~ 250°/s |
| Preset Speed | Pan: 400°/s; Tilt: 300°/s |
| Preset | 80(DH-SD), 255(Pelco-P/D) |
| PTZ Mode | 5 Pattern, 8 Tour, Auto Pan, Auto Scan |
| Speed Setup | Human-oriented focal length/ speed adaptation |
| Power up Action | Auto restore to previous PTZ and lens status after power failure |
| Idle Motion | Activate Preset/Pan/Scan/Tour/Pattern if there is no command in the specified period |
| Time Task | Auto activation of Preset/Pan/Scan/Tour/Pattern by preset-time |
| Protocol | DH-SD, Pelco-P/D (Auto recognition) |
| Video | |
| Compression | H.264 / MJPEG |

DH-SD65320-HN

| | | |
|----------------------------|-------------|--|
| Resolution | | 3M(2048×1536)/1080P(1920×1080)/D1(704×576/704×480)/CIF(352×288/352×240) |
| Frame Rate | Main Stream | 3M(1~15fps)/1080P |
| | Sub Stream | D1/CIF(1 ~ 25/30fps) |
| Bit Rate | | H.264: 56K ~ 8192Kbps, MJPEG: 56K ~ 20480Kbps |
| Audio | | |
| Compression | | G.711a / G.711u (32kbps) / PCM (128kbps) |
| Interface | | 1/1 channel In/Out |
| Network | | |
| Ethernet | | RJ-45 (10/100Base-T) |
| Protocol | | IPv4/IPv6, HTTP, HTTPS, SSL, TCP/IP, UDP, UPnP, ICMP, IGMP, SNMP, RTSP, RTP, SMTP, NTP, DHCP, DNS, PPPOE, DDNS, FTP, IP Filter, QoS, Bonjour |
| ONVIF | | ONVIF Profile S |
| Max. User Access | | 20 users |
| Smart Phone | | iPhone, iPad, Android, Windows Phone |
| Auxiliary Interface | | |
| Memory Slot | | Micro SD, Max 64GB |
| RS485 | | 1 |
| Alarm | | 7/2 channel In/Out |
| General | | |
| Power Supply | | AC 24V/3A (±10%) |
| Power Consumption | | 15W, 40W(Heater on) |
| Working Environment | | -40°C ~ 60°C / Less than 90% RH |
| Ingress Protection | | IP67 |
| Vandal Resistance | | IK10 (optional) |
| Dimensions | | Φ222(mm) x 322(mm) |
| Weight | | 5.0kg |

DH-SD65320-HN

Dimensions (mm)



Accessories

| | | |
|---|---|---|
|  |  |  |
| DH-69FB | DH-PFA111 | Power Supply |

DH-SD65320-HN

Accessories (Optional)

| | | | |
|---|---|--|---|
|  |  |  |  |
| DH-PFB300C | DH- PFB301C | DH-PFA112 | DH-PFA113 |
|  |  |  |  |
| DH-PFB301S | DH-PFA120 | DH-PFA150 | DH-PFA151 |

www.simattelecom.com

Dahua Technology Co., Ltd

1199 BinAn Road, Binjiang District, Hangzhou, China

*Design and specifications are subject to change without notice.

© 2014 Dahua Technology