

DH-SD29204S-GN(-W)

2Mp Full HD Network Mini IR PTZ Dome Camera



Features

- 4x optical zoom
- H.264 & MJPEG dual-streams encoding
- Max. 25/30fps@1080P(1920×1080) & 50/60fps@720P resolution
- DWDR, Day/Night(ICR), Ultra DNR, Auto iris, Auto focus
- Multiple network monitoring: Web viewer, CMS(DSS/PSS) & DMSS
- Max 100°/s pan speed
- Up to 300 presets, 5 auto scan, 8 tour, 5 pattern
- Support intelligent 3D positioning with DH-SD protocol
- Micro SD memory, Built-in Mic, POE/ Wifi optional
- IR Distance up to 30m

DH-SD29204S-GN(-W)

Technical Specifications

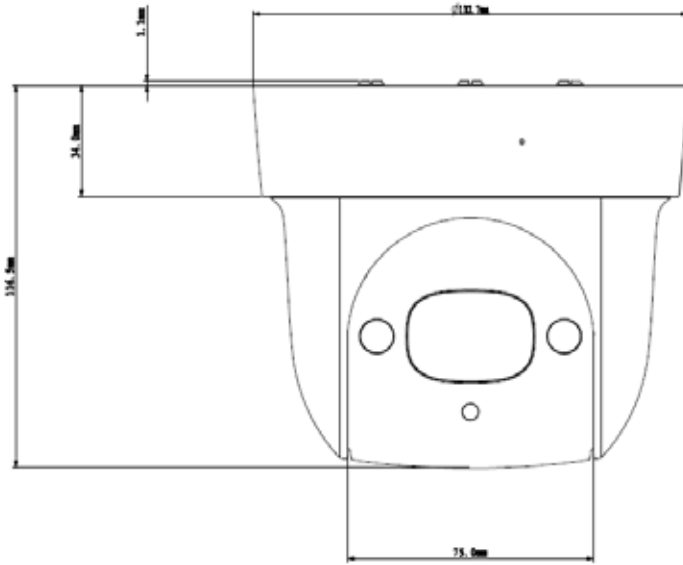
| Model | DH-SD29204S-GN | DH-SD29204S-GN-W |
|--------------------------|--|--|
| Camera | | |
| Image Sensor | 1/2.8" CMOS | |
| Effective Pixels | 1920(H) x 1080(V), 2Megapixels | |
| Scanning System | Progressive | |
| Electronic Shutter Speed | 1/1 ~ 1/30,000s | |
| Min. Illumination | Color: 0.05Lux@F1.6; B/W: 0.005Lux@F1.6 | |
| S/N Ratio | More than 50dB | |
| Camera Features | | |
| Day/Night | Auto(ICR) / Color / B/W | |
| Backlight Compensation | BLC / HLC / DWDR (Digital WDR) | |
| White Balance | Auto, ATW, Indoor, Outdoor, Manual | |
| Gain Control | Auto / Manual | |
| Noise Reduction | Ultra DNR (2D/3D) | |
| Privacy Masking | Up to 24 areas | |
| Digital Zoom | 16x | |
| Lens | | |
| Focal Length | 2.7mm~11mm(4x Optical zoom) | |
| Max Aperture | F1.6~ F2.8 | |
| Focus Control | Auto / Manual | |
| Angle of View | H: 112.5° ~ 39° | |
| PTZ | | |
| Pan/Tilt Range | Pan: 0° ~ 360° limited; Tilt: 0° ~ 90°, auto flip 180° | |
| Manual Control Speed | Pan: 0.1° ~100° /s; Tilt: 0.1° ~60° /s | |
| Preset Speed | Pan: 100° /s; Tilt: 60° /s | |
| Preset | 300 | |
| PTZ Mode | 5 Pattern, 8 Tour, Auto Pan, Auto Scan | |
| Speed Setup | Human-oriented focal length/ speed adaptation | |
| Power up Action | Auto restore to previous PTZ and lens status after power failure | |
| Idle Motion | Activate Preset/ Pan/ Scan/ Tour/ Pattern if there is no command in the specified period | |
| IR Distance | 30m | |
| Video | | |
| Compression | H.264 / MJPEG | |
| Resolution | 1080P(1920×1080)/ 720P(1280×720) / D1(704×576/ 704×480) /CIF (352×288/352×240) | |
| Frame Rate | Main Stream | 1080P(1 ~ 25/30fps)/ 720P (1 ~ 50/60fps) |
| | Sub Stream | D1/CIF(1 ~ 25/30fps) |
| Bit Rate | H.264: 448K ~ 8192Kbps, MJPEG: 5120K ~ 10240Kbps | |
| Audio | | |

DH-SD29204S-GN(-W)

| | | |
|----------------------------|---|---------|
| Compression | G.711a / G.711Mu(32kbps)/ PCM(128kbps) | |
| Interface | Built-in Mic | |
| Network | | |
| Ethernet | RJ-45 (10/100Base-T) | |
| WIFI | N/A | Support |
| Protocol | IPv4/ IPv6, HTTP, HTTPS, SSL, TCP/IP, UDP, UPnP, ICMP, IGMP, SNMP, RTSP, RTP, SMTP, NTP, DHCP, DNS, PPPOE, DDNS, FTP, IP Filter, QoS, Bonjour, 802.1x | |
| ONVIF | ONVIF Profile S | |
| Max. User Access | 20 users | |
| Smart Phone | iPhone, iPad, Android, Windows Phone | |
| Auxiliary Interface | | |
| Memory Slot | Micro SD, Max 64GB | |
| General | | |
| Power Supply | DC12V, POE | DC12V |
| Power Consumption | 10W, 13W (IR on) | |
| Working Environment | -30°C ~ 60°C / Less than 90% RH | |
| Dimensions | Φ132.7 (mm) x 116.5 (mm) | |
| Weight | 0.95kg | |

DH-SD 29204 S-GN(-W)

Dimensions



Accessories (Optional)

| | |
|---|---|
|  |  |
| DH-PFA103 | DH-PFB302S |

www.simattelecom.com

Dahua Technology Co., Ltd

1199 BinAn Road, Binjiang District, Hangzhou, China

*Design and specifications are subject to change without notice.

© 2014 Dahua Technology