

DH-HAC-HFW1200S

2Megapixel 1080P Water-proof HDCVI IR-Bullet Camera



Features

- 1/2.7" 2Megapixel CMOS
- 25/30fps@1080P, 25/30/50/60fps@720P
- High speed, long distance real-time transmission
- HD and SD switchable
- OSD Menu, control over coaxial cable
- DWDR, Day/Night(ICR), AWB, AGC, BLC, 2DNR
- 3.6mm fixed lens (6mm optional)
- Max. IR LEDs length 30m, Smart IR
- IP67, DC12V

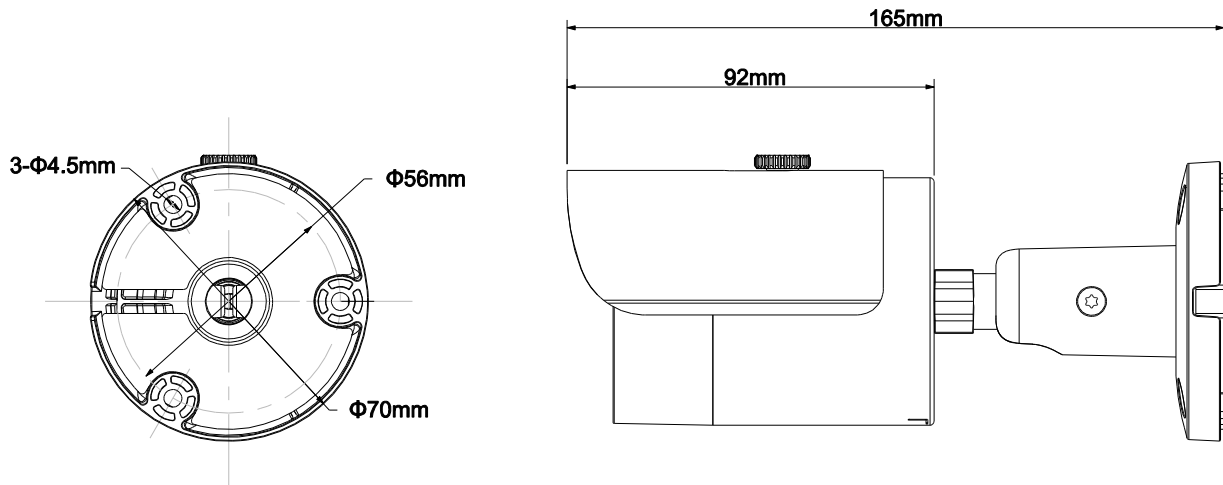
DH-HAC-HFW1200S

Technical Specifications

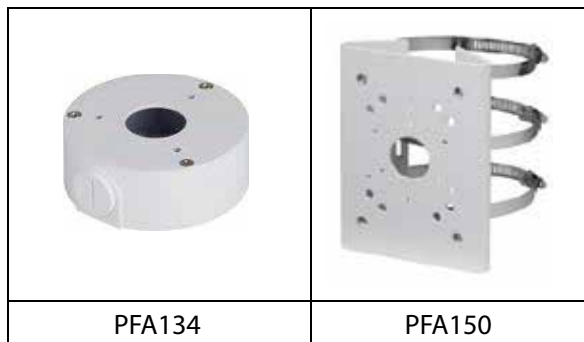
| Model | DH-HAC-HFW1200SP | DH-HAC-HFW1200SN |
|------------------------|--|----------------------------|
| Camera | | |
| Image Sensor | 1/2.7" 2Megapixel CMOS | |
| Effective Pixels | 1920(H)×1080(V) | |
| Electronic Shutter | 1/25~1/100000s | 1/30~1/100000s |
| Video Frame Rate | 25/50fps@720P; 25fps@1080P | 30/60fps@720P; 30fps@1080P |
| Synchronization | Internal | |
| Min. Illumination | 0.02Lux/F2.0, 0Lux IR on | |
| Video Output | 1-channel BNC high definition video output/ CVBS standard definition video output (Can switch) | |
| Camera Features | | |
| Max. IR LEDs Length | 30m, Smart IR | |
| Backlight Compensation | DWDR | |
| Day/Night | Auto(ICR) / Color / B/W | |
| Noise Reduction | 2D | |
| OSD Menu | Support | |
| Lens | | |
| Focal length | 3.6mm (6mm optional) | |
| Angle of View | H: 89.9° (59.4°) | |
| Mount Type | M12 | |
| General | | |
| Power Supply | DC12V±25% | |
| Power Consumption | Max 4W | |
| Working Environment | -40°C~+60°C / Less than 95%RH (no condensation) | |
| Transmission Distance | Over 500m via 75-3 coaxial cable | |
| Ingress Protection | IP67 | |
| Dimensions(W×D×H) | Φ70mm×165mm | |
| Weight | 0.35kg | |
| Material | Metal (body) + Plastic (sunshield) | |

DH-HAC-HFW1200S

Dimensions (mm)



Accessories (optional)



www.simattelecom.com

Dahua Technology Co., Ltd.

1187 BinAn Road, Binjiang District, Hangzhou, China